

Survey Form 14: Toilet Rooms (figures)

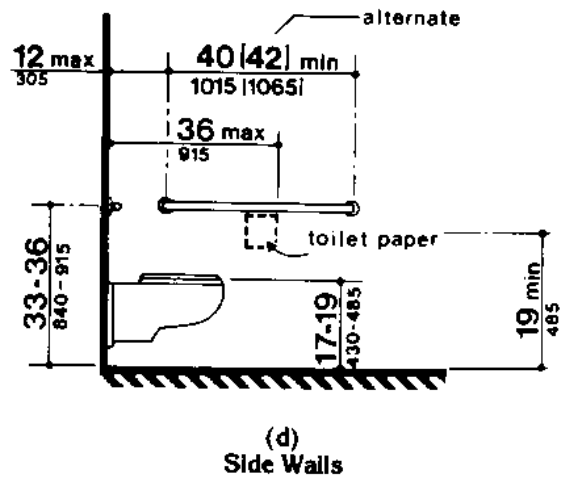
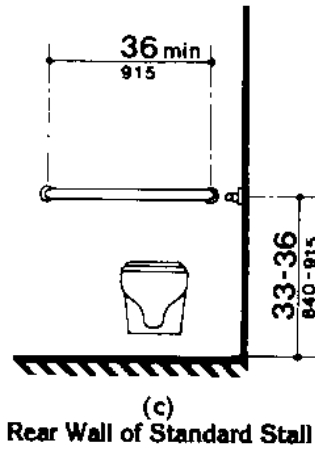
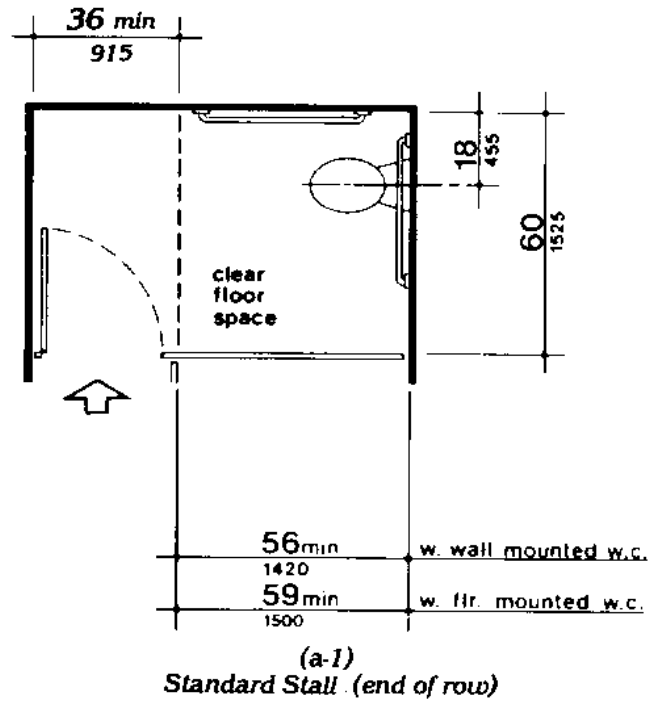
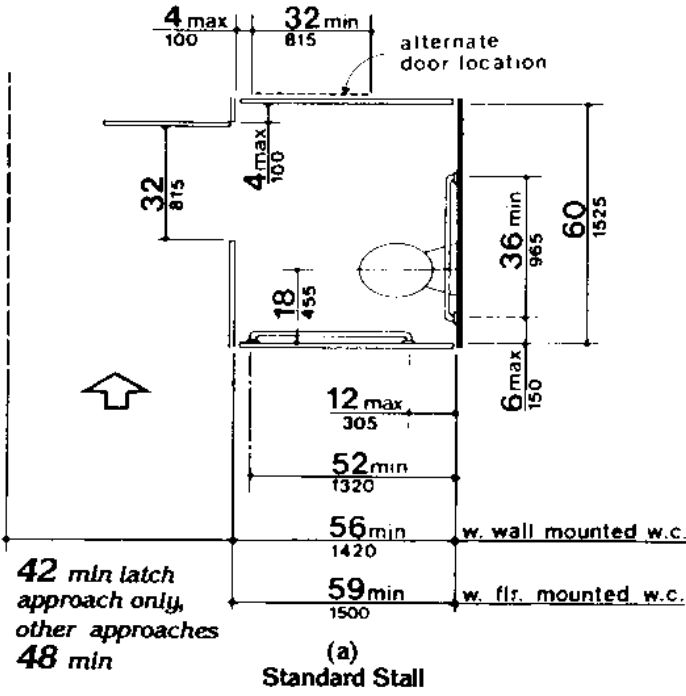
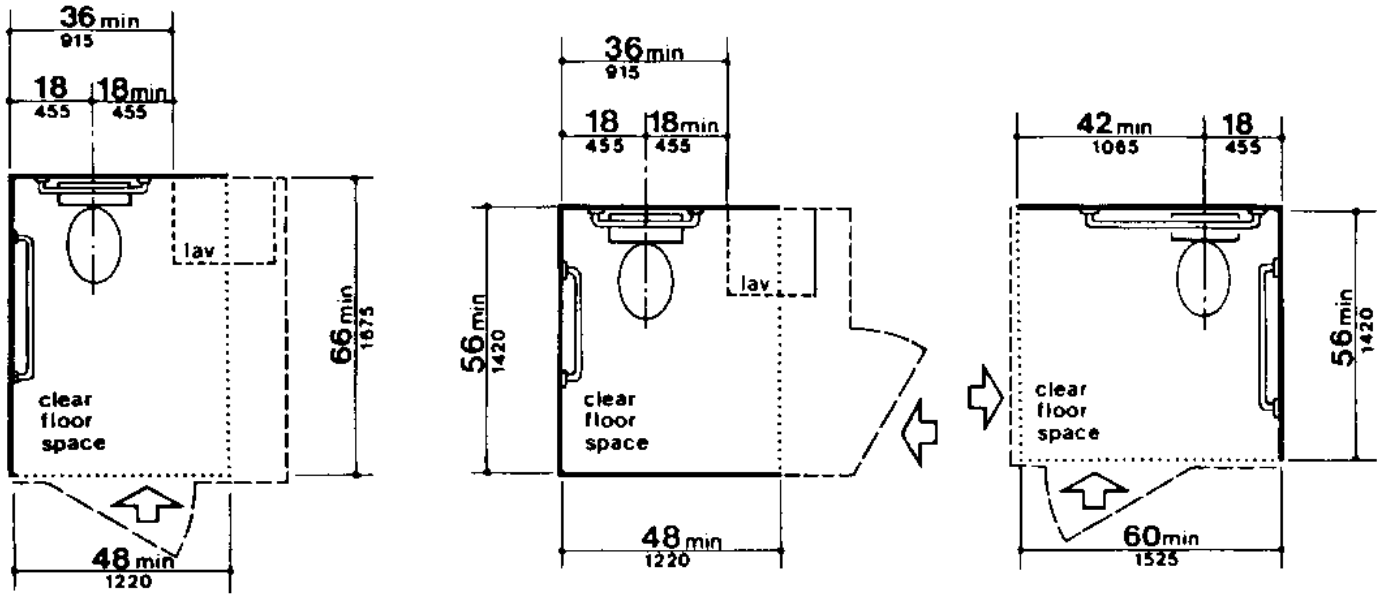


Fig. 30 Toilet Stalls

Survey Form 14: Toilet Rooms (figures)



Possible wall locations - - - - -

Fig. 28
Clear Floor Space at Water Closets

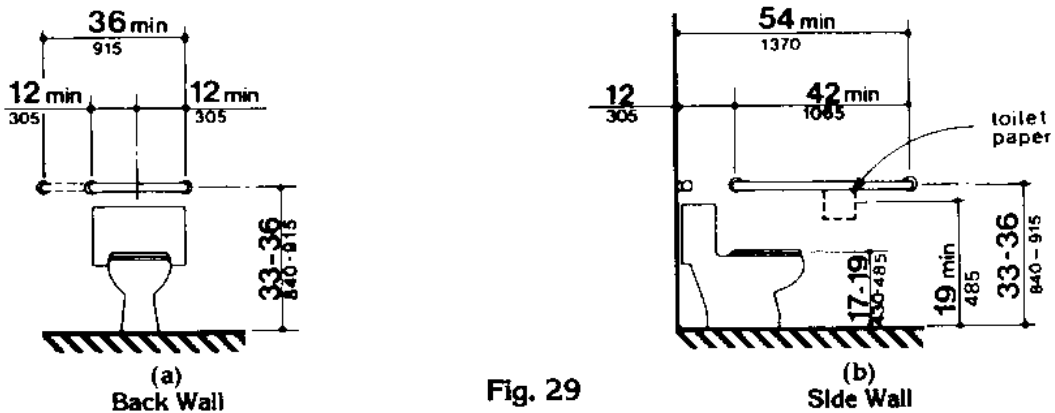


Fig. 29
Grab Bars at Water Closets

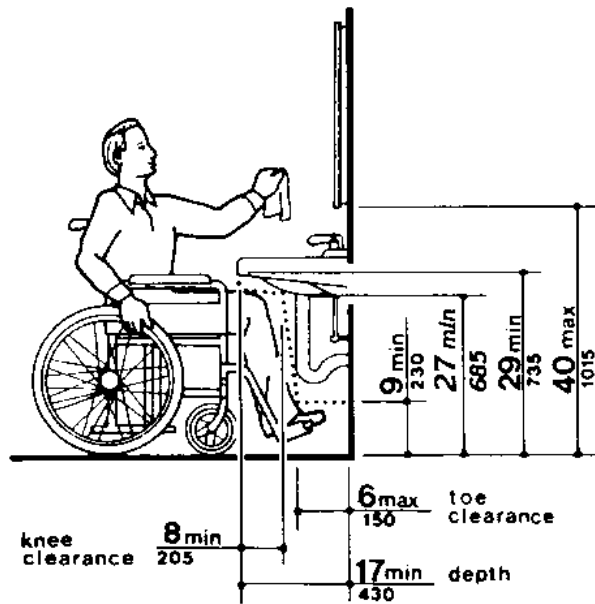


Fig. 31
Lavatory Clearances